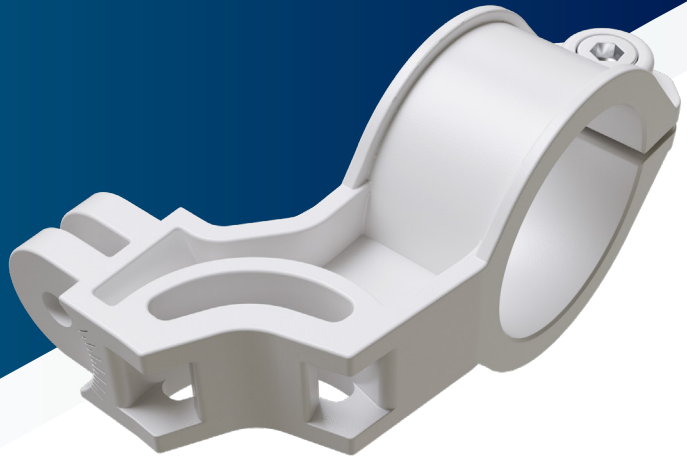


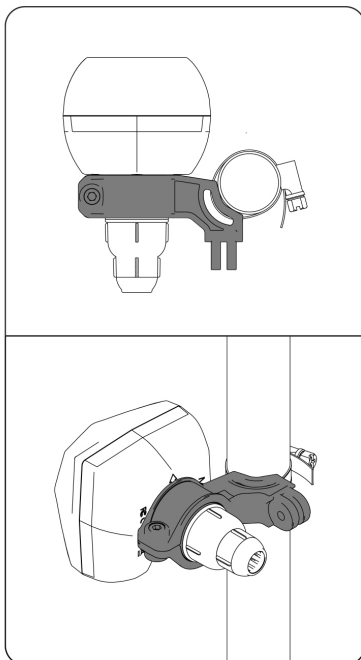
# QMP-LDF



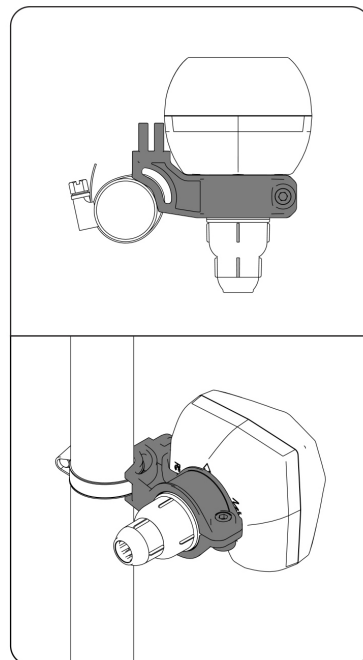
An advanced pole/mast mount adapter for our LDF series – for extra ease of use and versatility. There are two standard mounting options and additional QMP compatibility for mounting LDF on a wall.

The adapter offers extra durability due to its unique plastic composite material – anvilNITE™.

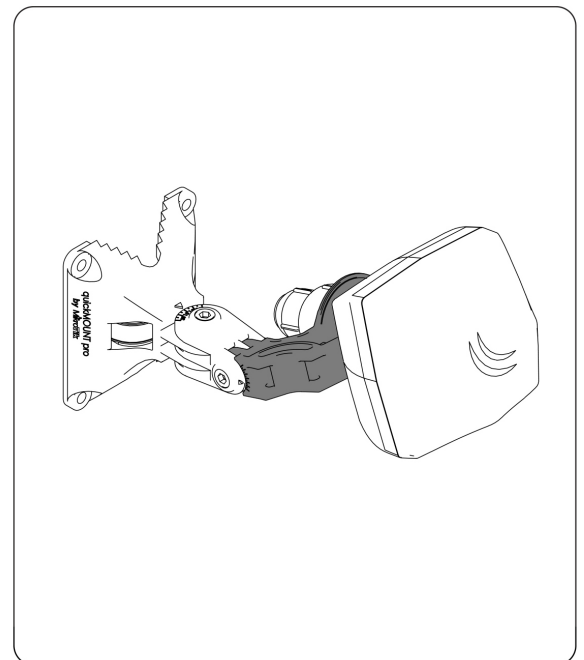
**Pole mounting option #1**



**Pole mounting option #2**



**#3 Extra mounting option with the quickMOUNT pro**



## • Specifications

Product code	QMP-LDF
Dimensions	52 x 60 x 104 mm